

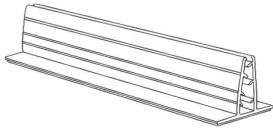


INSTALL VIDEO

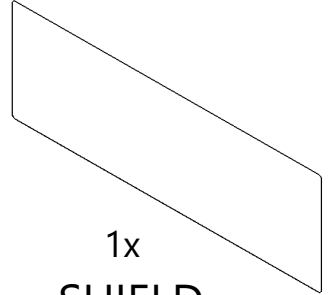
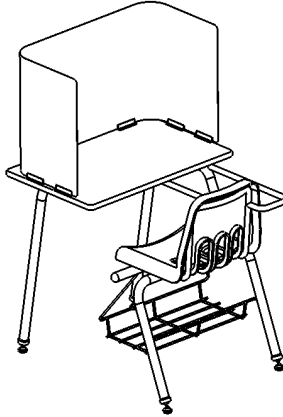
# GAZUNTITE™ DESK SHIELD Installation



EXAMPLES



6x  
ADHESIVE  
GRIPPER



1x  
SHIELD



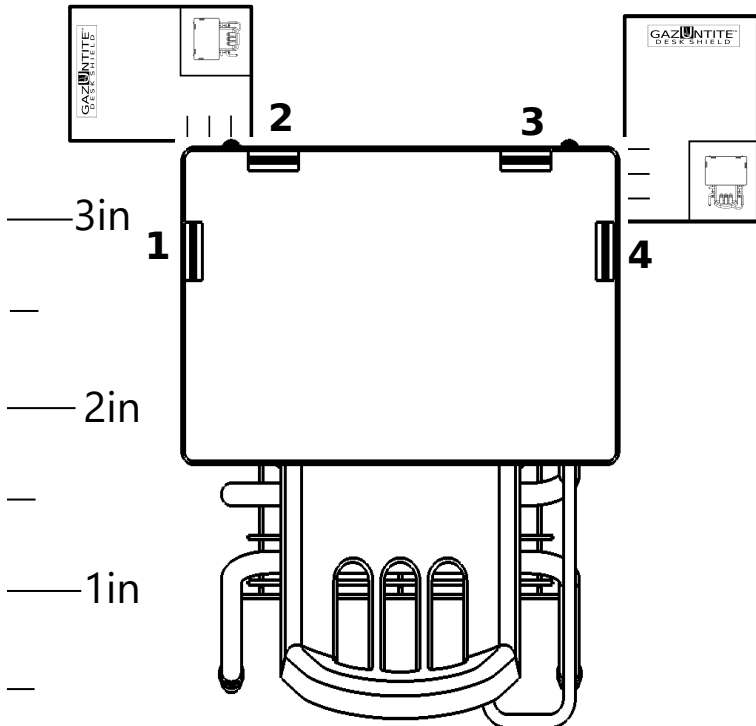
Please read the instructions carefully before starting.

Patent Pending

**CLEAN SURFACE - Prior to installation, be sure desk surface is clean and dry.**

## 1. POSITION GRIPPERS IN CORNER LOCATIONS

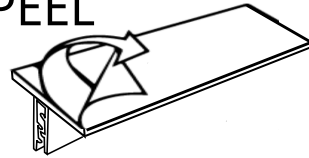
One at a time, use ruler on instructions to measure 3 inches from corner for each gripper.



## 2. PEEL AND STICK GRIPPER

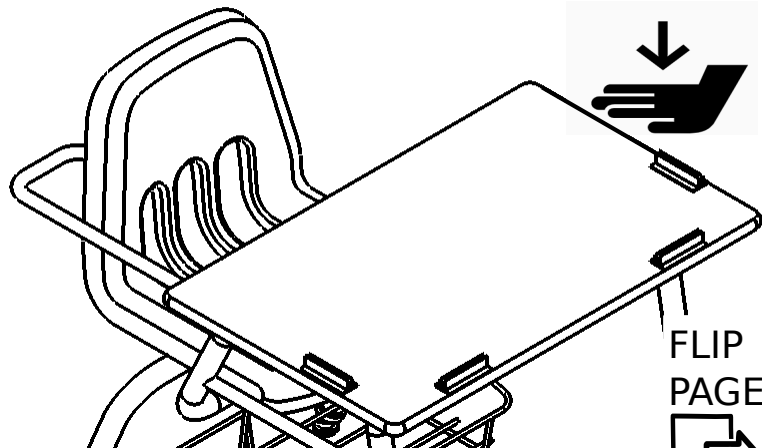
( Repeat Step 1 & Step 2 for each of the 4 Grippers )

PEEL



Stick each gripper down by pressing it firmly onto desk

PRESS

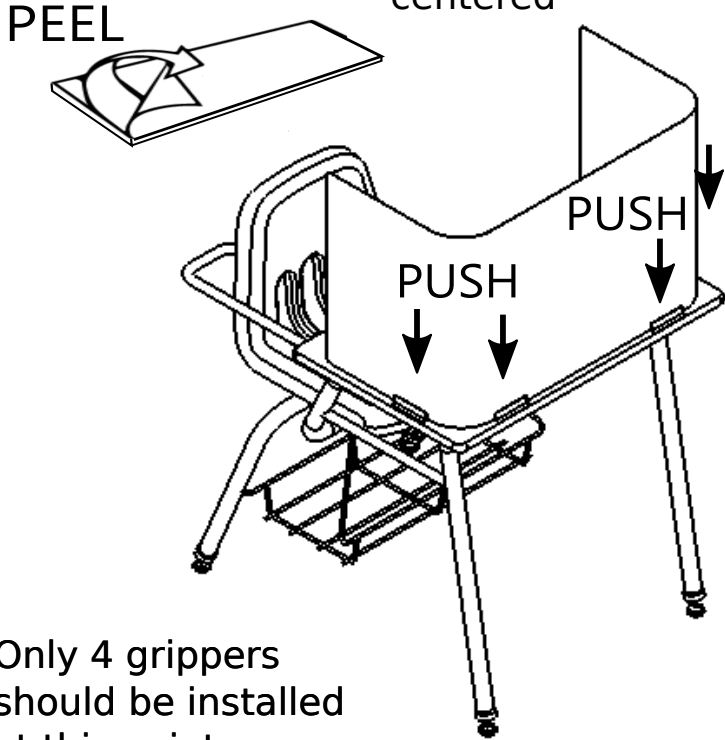


FLIP PAGE



### 3. PEEL FILM OFF SHIELD THEN PUSH SHIELD INTO GRIPPERS

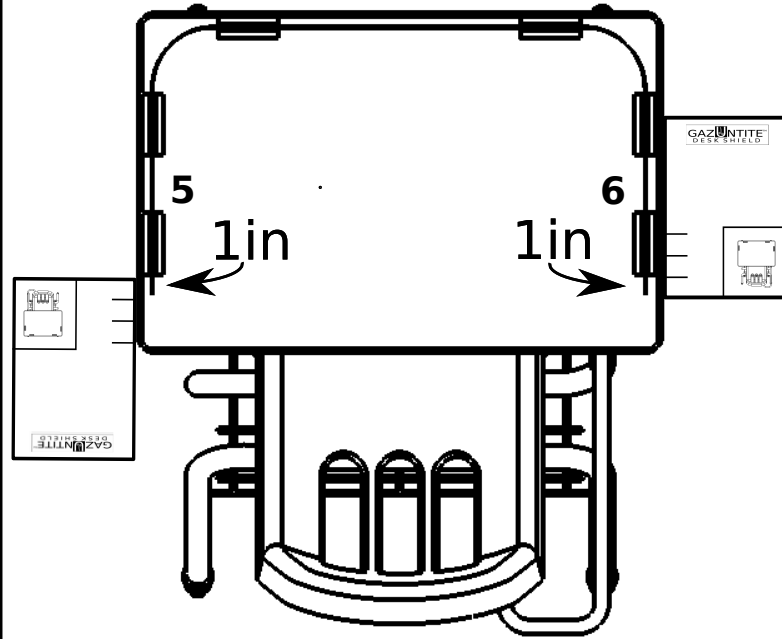
Make sure shield is centered



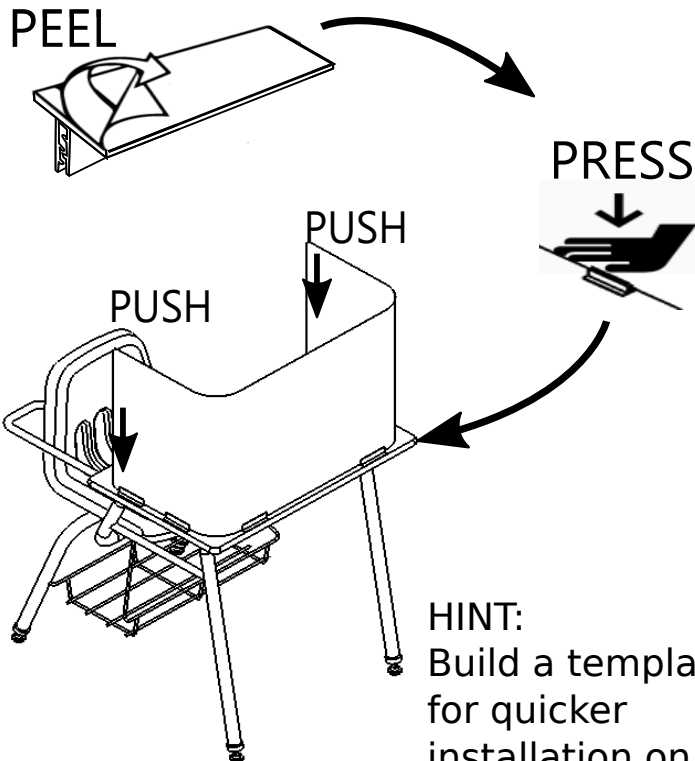
Only 4 grippers should be installed at this point

### 4. POSITION EDGE GRIPPERS

Use ruler on instructions to position grippers 1 inch from the edge of the shield



### 5. PEEL AND STICK EACH EDGE GRIPPER PER STEP 4



HINT: Build a template for quicker installation on identical desks.

### HINT: Build a template for quicker installation on identical Desks.

Measure and Cut template as shown below, then mark Gripper locations.

